

Drawn Cup Needle Roller Bearings



OVERVIEW: Drawn cup needle roller bearings support radial loads and reduce friction between rotating components, with a drawn outer shell serving as a raceway for the rollers. The low cross section of drawn cup bearing provides high load-carrying capacity with minimum required space. Drawn cup bearings are easily installed with a press fit in the housing.

APPLICATION: Transmissions, transfer cases, engines, valve trains, steering and braking system, axle supports, outboard engines, power tools, copiers, fax machines, paper moving equipment and appliances.

TYPE:

Inch: B, BH, M, MH, SN, SCE, BCE, SCH, BCH, SCE..P, SCE..PP, SCH..P, SCH..PP, BCE..P, BCH..P
Metric: HK, BK, TA, DL, HN, HK..RS, HK..2RS, BK..RS

DESCRIPTION:

Inch Size:

B, BH	Full Complement Drawn Cup Needle Bearings, Pointed Ends Roller, Open Ends, Light/Heavy Series
M, MH	Full Complement Drawn Cup Needle Bearings, Pointed Ends Roller, Closed Ends, Light/Heavy Series
SN	Full Complement Drawn Cup Needle Bearings, Flat Ends Roller, Open Ends
SCE, SCH	Drawn Cup Needle Bearings, Open Ends, Light/Heavy Series
BCE	Drawn Cup Needle Bearings, Closed Ends,
SCE..P, SCE..PP	Drawn Cup Needle Bearings, Open Ends, One Seal/Two Seals
SCH..P, SCH..PP	Drawn Cup Needle Bearings, Open Ends, Heavy Duty Series, One Seal/Two Seals
BCE..P	Drawn Cup Needle Bearings, Closed Ends, One Seal

Metric Size:

HK, TA	Drawn Cup Needle Bearings, Open Ends, Light/Heavy Series
BK	Drawn Cup Needle Bearings, Closed Ends,
DL/HN	Full Complement Drawn Cup Needle Bearings, Open Ends, Pointed/Flat Ends Roller
HK..RS, HK..2RS	Drawn Cup Needle Bearings, Open Ends, One Seal/Two Seals
BK..RS	Drawn Cup Needle Bearings, Closed Ends, One Seal

Drawn Cup Needle Roller Bearings

Dimension Tolerance for Inch Series Drawn Cup Needle Roller Bearings (B,BH,M,MH,SN,SCE, SCH,BCE,BCH):

Nominal Bore	Ring Gage (Inch)	Bore Diameter(Inch)	
		Min.	Max.
0.1250	0.2505	0.1258	0.1267
0.1562	0.2817	0.1571	0.158
0.1875	0.3437	0.1883	0.1892
0.2500	0.438	0.2515	0.2524
0.3125	0.5005	0.314	0.3149
0.3125	0.563	0.314	0.3149
0.3750	0.563	0.3765	0.3774
0.3750	0.6255	0.3765	0.3774
0.4375	0.6255	0.439	0.4399
0.4375	0.688	0.439	0.4399
0.5000	0.688	0.5015	0.5024
0.5000	0.7505	0.5015	0.5024
0.5625	0.7505	0.564	0.5649
0.5625	0.813	0.564	0.5649
0.6250	0.813	0.6265	0.6274
0.6250	0.8755	0.6265	0.6274
0.6875	0.8755	0.689	0.6899
0.6875	0.938	0.689	0.6899
0.7500	0.9995	0.7505	0.7514
0.7500	1.062	0.7505	0.7514
0.8125	1.062	0.813	0.8139
0.8125	1.1245	0.813	0.8139
0.8750	1.1245	0.8755	0.8764
0.8750	1.187	0.8755	0.8764
0.9375	1.187	0.938	0.9389
1.0000	1.2495	1.0005	1.0014
1.0000	1.312	1.0005	1.0014
1.0625	1.312	1.063	1.0639
1.1250	1.3745	1.1255	1.1264
1.1250	1.4995	1.1255	1.1264
1.1875	1.4995	1.188	1.1889
1.2500	1.4995	1.2505	1.2514
1.2500	1.6245	1.2505	1.2514
1.3125	1.6245	1.313	1.314
1.3750	1.6245	1.3755	1.3765
1.3750	1.7495	1.3755	1.3765
1.5000	1.8745	1.5005	1.5016
1.6250	1.9995	1.6255	1.6266
1.7500	2.1245	1.7505	1.7517
1.8750	2.2495	1.8755	1.8767
2.0000	2.3745	2.0006	2.0018
2.0625	2.5307	2.063	2.0644
2.1250	2.4995	2.1256	2.127
2.2500	2.6245	2.2506	2.252
2.6250	2.9995	2.626	2.6274
2.7500	3.1245	2.751	2.7524
3.5000	3.9995	3.501	3.5024
5.5000	5.999	5.501	5.5029

Dimension Tolerance for Metric Series Drawn Cup Needle Roller Bearing(HK, BK, HN, HK..RS, HK..2RS, BK..RS):

Nominal Bore	Ring Gage (mm)	Bore Diameter(mm)	
		Min.	Max.
3	6.484	3.006	3.024
4	7.984	4.01	4.028
5	8.984	5.01	5.028
6	9.984	6.01	6.028
7	10.98	7.013	7.031
8	11.98	8.013	8.031
9	12.98	9.013	9.031
10	13.98	10.013	10.031
12	15.98	12.016	12.034
12	17.98	12.016	12.034
13	18.976	13.016	13.034
14	19.976	14.016	14.034
15	20.976	15.016	15.034
16	21.976	16.016	16.034
17	22.976	17.016	17.034
18	23.976	18.016	18.034
20	25.976	20.02	20.041
22	27.976	22.02	22.041
25	31.972	25.02	25.041
28	34.972	28.02	28.041
30	36.972	30.02	30.041
35	41.972	35.025	35.05
40	46.972	40.025	40.05
45	51.967	45.025	45.05
50	57.967	50.025	50.05
60	67.967	60.03	60.06

Drawn Cup Needle Roller Bearings

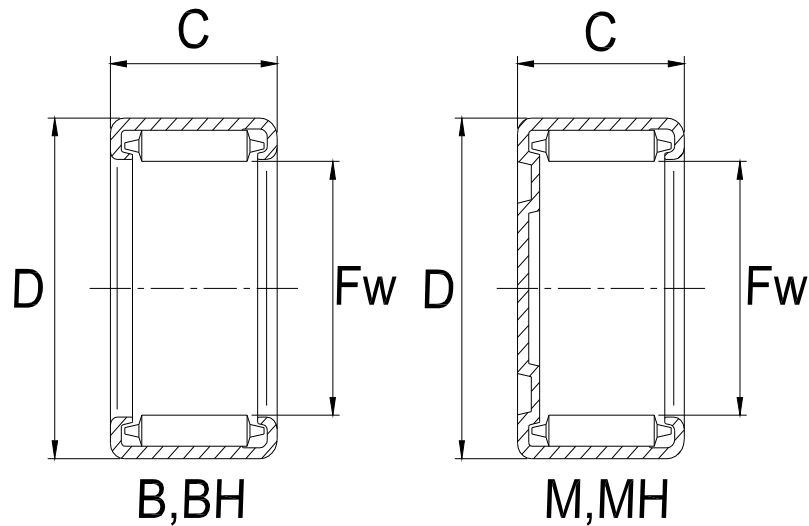
Dimension Tolerance for Metric Serie Needle Bushes (DL, DL..P, DLF Series)

Nominal Bore	Ring Gage (mm)	Bore Diameter(mm)	
		Go Gage	No-go Gage
6	12	6.009	6.036
8	14	8.009	8.036
9	14	9.009	9.036
10	16	10.009	10.036
12	18	12.009	12.035
13	19	13.009	13.035
14	20	14.009	14.035
15	21	15.009	15.035
16	22	16.009	16.035
17	23	17.009	17.035
17P	22.976	17.016	17.034
18	24	18.009	18.035
18P	23.976	18.016	18.034
20	26	20.009	20.035
22	28	22.009	22.035
25	33	25.015	25.041
28	36	28.015	28.041
30	38	30.015	30.041
35P	41.972	35.025	35.05
35	43	35.015	35.041
40	48	40.015	40.041
44	52	44.015	44.041
45P	51.976	45.025	45.05
47	55	47.015	47.041
50	58	50.015	50.041
55	63	55.015	55.041

Dimension Tolerance for Metric Series Shell Type Needle Roller Bearings(TA, TAW Series)

Nominal Bore	Ring Gage (mm)	Bore Diameter(mm)	
		Go Gage	No-go Gage
8	14.992	8.005	8.02
9	15.992	9.005	9.02
10	16.992	10.005	10.02
12	18.991	12.006	12.024
14	21.991	14.006	14.024
15	21.991	15.006	15.024
16	23.991	16.006	16.024
17	23.991	17.006	17.024
18	24.991	18.006	18.024
19	26.991	19.007	19.028
20	26.991	20.007	20.028
	27.991		
21	28.991	21.007	21.028
22	28.991	22.007	22.028
	29.991		
24	30.989	24.007	24.028
	31.989		
25	32.989	25.007	25.028
26	33.989	26.007	26.028
28	36.989	28.007	28.028
29	37.989	29.007	29.028
30	39.989	30.007	30.028
32	41.989	32.009	32.034
35	44.989	35.009	35.034
37	46.989	37.009	37.034
38	47.989	38.009	38.034
40	49.989	40.009	40.034
45	54.988	45.009	45.034
50	61.988	50.009	50.034
55	66.988	55.01	55.04
60	71.988	60.01	60.04
62	73.988	62.01	62.04
65	76.988	65.01	65.04
70	81.987	70.01	70.04

Drawn Cup Needle Roller Bearings



Part Number		Dimension(mm)			Load Rating(KN)		Limiting Speed(RPM)	Weight (g)
B45	M451	6.35	11.113	7.92	3.56	3.69	10000	3
B46	--	6.35	11.113	9.53	4.54	5.03	10000	4
B47	M471	6.35	11.113	11.13	5.52	6.45	10000	4
B55	M551	7.938	12.7	7.92	4.09	4.58	8300	4
B56	--	7.938	12.7	9.53	5.25	6.32	8300	5
B57	M571	7.938	12.7	11.13	6.32	8.1	8300	5
B59	--	7.938	12.7	14.27	8.36	11.6	8300	6
BH57	MH571	7.938	14.288	11.13	7.03	7.34	12000	7
BH59	--	7.938	14.288	14.27	9.47	10.8	12000	9
B65	M651	9.525	14.288	7.92	4.54	5.52	7100	4
B66	M661	9.525	14.288	9.53	5.83	7.61	7100	5
B67	--	9.525	14.288	11.13	7.07	9.7	7100	6
B68	M681	9.525	14.288	12.7	8.18	11.8	7100	7
B69	--	9.525	14.288	14.27	9.34	13.92	7100	7
B610	M6101	9.525	14.288	15.88	10.4	16	7100	8
BH68	--	9.525	15.875	12.7	9.34	10.9	10000	10
B76	--	11.113	15.875	9.53	6.36	8.9	6300	5
B77	--	11.113	15.875	11.13	7.7	11.3	6300	7
B78	M781	11.113	15.875	12.7	8.99	13.8	6300	8
B710	--	11.113	15.875	15.88	11.3	18.7	6300	10
BH78	--	11.113	17.463	12.7	10.3	12.8	8800	10
B85	M851	12.7	17.463	7.92	5.34	7.38	5600	5
B86	M861	12.7	17.463	9.53	6.85	10.1	5600	6
B87	M871	12.7	17.463	11.13	8.32	13	5600	7
B88	M881	12.7	17.463	12.7	9.61	15.7	5600	9
B810	M8101	12.7	17.463	15.88	12.2	21.34	5600	10
B812	M8121	12.7	17.463	19.05	14.7	27	5600	13
BH87	--	12.7	19.05	11.13	9.47	11.8	7900	10
BH88	--	12.7	19.05	12.7	11.2	14.6	7900	12
BH810	--	12.7	19.05	15.88	14.4	20.2	7900	15
BH812	MH8121	12.7	19.05	19.05	17.4	25.8	7900	18
B95	M951	14.288	19.05	7.92	5.74	8.32	5000	6
B96	M961	14.288	19.05	9.53	7.34	11.4	5000	7
B97	M971	14.288	19.05	11.13	8.85	14.6	5000	8
B98	M981	14.288	19.05	12.7	10.3	17.7	5000	9
B910	M9101	14.288	19.05	15.88	13.1	24	5000	12

Drawn Cup Needle Roller Bearings

B912	M9121	14.288	19.05	19.05	15.7	30.3	5000	14
BH98	--	14.288	20.638	12.7	12	16.5	7100	13
BH910	--	14.288	20.638	15.88	15.4	22.7	7100	16
BH912	--	14.288	20.638	19.05	18.6	29	7100	20
B105	M1051	15.875	20.638	7.92	6.1	9.25	4500	6
B107	M1071	15.875	20.638	11.13	9.39	16.2	4500	9
B108	M1081	15.875	20.638	12.7	10.9	19.7	4500	10
B1010	M10101	15.875	20.638	15.88	13.8	26.7	4500	13
B1012	M10121	15.875	20.638	19.05	16.6	33.7	4500	15
BH108	MH1081	15.875	22.212	12.7	12.7	18.3	6500	14
BH1010	--	15.875	22.212	15.88	16.4	25.3	6500	18
BH1012	--	15.875	22.212	19.05	19.8	32.3	6500	21
BH1016	--	15.875	22.212	25.4	26.2	46.3	6500	28
B116	M1161	17.463	22.212	9.53	8.18	14	4200	8
B118	M1181	17.463	22.212	12.7	11.5	21.7	4200	11
B1110	M11101	17.463	22.212	15.88	14.6	29.4	4200	14
B1112	M11121	17.463	22.212	19.05	17.4	37.1	4200	16
BH117	--	17.463	23.813	11.13	11.4	16.2	6000	14
BH1110	MH11101	17.463	23.813	15.88	17.3	27.8	6000	19
BH1112	--	17.463	23.813	19.05	20.9	35.5	6000	23
B126	M1261	19.05	25.4	9.53	9.7	13.6	5600	12
B128	M1281	19.05	25.4	12.7	14.1	22	5600	16
B1210	M12101	19.05	25.4	15.88	18.2	30.3	5600	20
B1212	M12121	19.05	25.4	19.05	21.9	38.7	5600	24
B136	--	20.638	26.988	9.53	10.1	14.68	5200	13
B138	M1381	20.638	26.988	12.7	14.8	23.8	5200	18
B1314	M13141	20.638	26.988	22.23	26.7	51.15	5200	31
B1316	M13161	20.638	26.988	25.4	30.3	60.05	5200	35
B1320	--	20.638	26.988	31.75	37.3	78.29	5200	44
BH138	MH1381	20.638	28.575	12.7	14.9	20.82	6300	23
BH1310	MH13101	20.638	28.575	15.88	19.7	29.89	6300	29
BH1312	MH13121	20.638	28.575	19.05	24.2	38.97	6300	34
B146	M1461	22.225	28.575	9.53	10.5	15.84	4800	14
B148	M1481	22.225	28.575	12.7	15.4	25.62	4800	19
B1412	M14121	22.225	28.575	19.05	23.9	45.37	4800	28
B1416	M14161	22.225	28.575	25.4	31.6	64.94	4800	38
B1418	--	22.225	28.575	28.58	35.2	74.73	4800	43
BH1410	MH14101	22.225	30.163	15.88	20.3	32.21	5880	30
BH1412	MH14121	22.225	30.163	19.05	25	41.99	5880	36
BH1416	--	22.225	30.163	25.4	33.7	61.39	5880	49
B158	--	23.813	30.163	12.7	15.9	27.49	4500	20
B1516	M15161	23.813	30.163	25.4	32.8	69.39	4500	40
B166	--	25.4	31.75	9.53	11.3	18.1	4300	16
B167	M1671	25.4	31.75	11.13	14	23.66	4300	19
B1610	M16101	25.4	31.75	15.88	21.2	40.52	4300	26
B1612	M16121	25.4	31.75	19.05	25.7	51.6	4300	32
B1616	M16161	25.4	31.75	25.4	33.9	74.29	4300	43
BH168	MH1681	25.4	33.338	12.7	16.6	25.6	5200	27
BH1610	--	25.4	33.338	15.88	22	36.8	5200	34
BH1612	MH16121	25.4	33.338	19.05	27.1	48	5200	41
BH1614	--	25.4	33.338	22.23	31.9	59.2	5200	48
BH1616	MH16161	25.4	33.338	25.4	36.5	70.3	5200	54
BH1620	--	25.4	33.338	31.75	45.4	93	5200	68

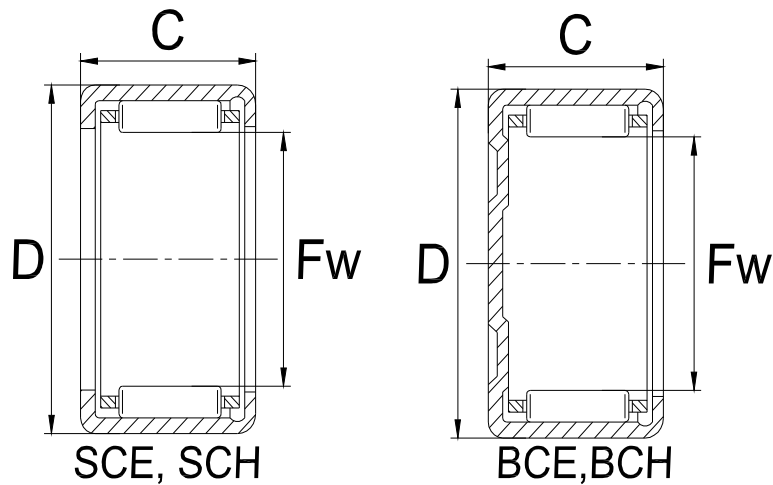
Drawn Cup Needle Roller Bearings

BH1624	MH16241	25.4	33.338	38.1	53.4	115.2	5200	82
B1710	M17101	26.988	33.338	15.88	21.9	43.1	4000	28
BH1712	--	26.988	34.925	19.05	29.49	52.49	3400	35
B186	M1861	28.575	34.925	9.53	12.1	20.37	3800	18
B188	M1881	28.575	34.925	12.7	17.6	33	3800	24
B1810	--	28.575	34.925	15.88	22.6	45.8	3800	29
B1812	M18121	28.575	34.925	19.05	27.3	58.3	3800	35
B1816	M18161	28.575	34.925	25.4	36.2	83.6	3800	47
BH1812	MH18121	28.575	38.1	19.05	31.5	52.9	5600	56
BH1816	MH18161	28.575	38.1	25.4	42.5	77.8	5600	74
BH1820	MH18201	28.575	38.1	31.75	52.9	103.2	5600	93
B1910	M19101	30.163	38.1	15.88	24.1	43.8	4400	40
B1916	--	30.163	38.1	25.4	40	83.6	4400	64
B208	M2081	31.75	38.1	12.7	18.6	36.6	3500	26
B2010	M20101	31.75	38.1	15.88	23.9	50.7	3500	32
B2012	M20121	31.75	38.1	19.05	28.9	64.5	3500	39
B2016	M20161	31.75	38.1	25.4	38.2	92.5	3500	52
B2020	M20201	31.75	38.1	31.75	47.2	121	3500	65
BH208	MH2081	31.75	41.275	12.7	19.7	30	5000	41
BH2012	MH20121	31.75	41.275	19.05	33.1	58.7	5000	61
BH2016	MH20161	31.75	41.275	25.4	44.9	86.7	5000	81
BH2020	MH20201	31.75	41.275	31.75	56	115	5000	102
B218	M2181	33.338	41.275	12.7	19.3	33.7	4100	34
B2110	M21101	33.338	41.275	15.88	25.5	48.5	4100	43
B2120	--	33.338	41.275	31.75	52.5	122	4100	87
B228	M2281	34.925	41.275	12.7	19.5	40.4	3200	28
B2212	M22121	34.925	41.275	19.05	30.4	71.2	3200	43
B2216	M22161	34.925	41.275	25.4	40.2	102	3200	57
B2220	M22201	34.925	41.275	31.75	49.4	133	3200	71
BH228	--	34.925	44.45	12.7	21.2	33.5	4700	44
BH2210	--	34.925	44.45	15.88	28.5	48.9	4700	55
BH2212	MH22121	34.925	44.45	19.05	35.3	64.5	4700	66
BH2216	MH22161	34.925	44.45	25.4	47.6	94.8	4700	88
BH2220	--	34.925	44.45	31.75	59.6	126	4700	111
B248	M2481	38.1	47.625	12.7	22.3	37.1	4300	48
B2410	M24101	38.1	47.625	15.88	29.8	53.8	4300	60
B2412	M24121	38.1	47.625	19.05	36.9	70.7	4300	72
B2414	M24141	38.1	47.625	22.23	43.5	87.6	4300	83
B2416	M24161	38.1	47.625	25.4	49.8	103	4300	96
B2420	M24201	38.1	47.625	31.75	61.8	138	4300	119
B268	--	41.275	50.8	12.7	22.8	39.2	3900	51
B2610	M26101	41.275	50.8	15.88	30.6	57.4	3900	64
B2616	--	41.275	50.8	25.4	51.6	112	3900	103
B2620	M26201	41.275	50.8	31.75	64	149	3900	128
B2812	M28121	44.45	53.975	19.05	39.3	81.4	3700	82
B2816	M28161	44.45	53.975	25.4	53.4	121	3700	110
B2820	--	44.45	53.975	31.75	66.3	160	3700	137
B2824	M28241	44.45	53.975	38.1	78.7	199	3700	165
B308	M3081	47.625	57.15	12.7	25.1	46.3	3500	59
B3010	--	47.625	57.15	15.888	33.6	67.61	3500	73
B3012	--	47.625	57.15	19.05	41.5	88.5	3500	88
B3016	M30161	47.625	57.15	25.4	56	130	3500	117
B328	M3281	50.8	60.325	12.7	25.4	48	3300	62

Drawn Cup Needle Roller Bearings

B3210	--	50.8	60.325	15.88	34.2	70.7	3300	78
B3214	--	50.8	60.325	22.23	54.3	115	3300	108
B3216	M32161	50.8	60.325	25.4	57.4	138	3300	124
B3220	M32201	50.8	60.325	31.75	71.6	183	3300	155
B3224	M32241	50.8	60.325	38.1	85	228	3300	186
B3228	M32281	50.8	60.325	44.45	97.4	273	3300	217
BH3312	--	52.388	64.292	19.05	46.3	86.7	4100	122
BH3316	MH33161	52.388	64.292	25.4	64	133	4100	162
BH3324	MH33241	52.388	64.292	38.1	97	226	4100	244
B348	--	53.975	63.5	12.7	26.1	51.2	3100	65
B3412	--	53.975	63.5	19.05	43.6	99.2	3100	98
B3416	M34161	53.975	63.5	25.4	59.2	147	3100	131
B3420	--	53.975	63.5	31.75	73.4	194	3100	164
B3424	M34241	53.975	63.5	38.1	87.2	242	3100	196
B3612	M36121	57.15	66.675	19.05	45.8	105	3000	103
B3620	--	57.15	66.675	31.75	77.4	206	3000	172
B3624	M36241	57.15	66.675	38.1	92.1	257	3000	207
B4216	M42161	66.675	76.2	25.4	66.7	182	2500	159
B4410	--	69.85	79.375	15.88	41	98	2500	104
B4416	--	69.85	79.375	25.4	69	190	2500	166
B4420	M44201	69.85	79.375	31.75	85.4	252	2500	208
B5612	--	88.9	101.6	19.05	64.9	150	2700	212
B8812	--	139.7	152.4	19.05	77	231	1600	325

Remark: Other types like S, SH, VS, VSH, JL, CS, CSH, VB, VBH and JLF are also workable.



Part Number		Dimension(mm)			Load Rating(N)		Limiting Speed(RPM)	Weight (g)
		Fw	D	C	Dynamic	Static		
SCE24TN	BCE24 TN	3.175	6.35	6.35	1070	740	31500	1
SCE2-1/2-4	--	3.969	7.15	6.35	1260	940	25000	1
SCE2-1/2-4TN	--	3.969	7.15	6.35	1230	910	25000	1
SCE34TN	BCE34TN	4.762	8.731	6.35	1790	1360	21000	1
SCE36TN	BCE36TN	4.762	8.731	9.53	2750	2350	21000	2
SCE36	--	4.762	8.731	9.53	2800	2440	21000	2
SCE44	BCE44	6.35	11.12	6.35	1600	1200	44000	2
SCE45	BCE45	6.35	11.12	7.938	2500	2090	44000	3
SCE47	BCE47	6.35	11.12	11.112	4000	3850	44000	4
SCE55	BCE55	7.938	12.7	7.938	2900	2600	35500	4
SCE57	BCE57	7.938	12.7	11.112	4700	4850	35500	6
SCE59	BCE59	7.938	12.7	14.29	6000	6600	35500	6
SCH 57	BCH57	7.938	14.288	11.112	4750	4100	35500	7

Drawn Cup Needle Roller Bearings

SCE65	BCE65	9.525	14.288	7.94	2900	2700	29500	3
SCE66	BCE66	9.525	14.288	9.52	3900	3950	29500	4
SCE67	BCE67	9.525	14.288	11.112	4350	4600	29500	5
SCE68	BCE68	9.525	14.288	12.7	5800	6600	29500	6
SCE610	BCE610	9.525	14.288	15.88	7400	9000	29500	7
SCH68	BCH68	9.525	15.875	12.7	7100	7100	29500	9
SCE78	BCE78	11.112	15.875	12.7	6400	7800	25000	7
SCE710	--	11.112	15.875	15.875	8100	10700	25000	9
SCH78	BCH78	11.112	17.462	12.7	7900	8200	25000	9
SCE85	BCE85	12.7	17.462	7.94	3650	3950	22000	4
SCE86	BCE86	12.7	17.462	9.52	4600	5400	22000	5
SCE87	BCE87	12.7	17.462	11.11	5900	7400	22000	6
SCE88	BCE88	12.7	17.462	12.7	6900	9000	22000	7
SCE810	BCE810	12.7	17.462	15.88	8800	12300	22000	9
SCE812	BCE812	12.7	17.462	19.05	9900	14300	22000	11
SCH87	BCH87	12.7	19.05	11.112	7340	7800	22000	9
SCH88	BCH88	12.7	19.05	12.7	8500	9400	22000	10
SCH810	BCH810	12.7	19.05	15.875	10500	12400	22000	10
SCH812	BCH812	12.7	19.05	19.05	12600	15700	22000	16
SCE95	--	14.288	19.05	7.938	4000	4700	19600	5
SCE96	BCE96	14.288	19.05	9.52	5200	6400	19600	6
SCE97	--	14.288	19.05	11.13	6600	8800	19600	8
SCE98	BCE98	14.288	19.05	12.7	7700	10800	19600	9
SCE910	BCE910	14.288	19.05	15.88	9600	14000	19600	10
SCE912	BCE912	14.288	19.05	19.05	10700	16400	19600	12
SCH98	BCH98	14.288	20.638	12.7	9100	10600	19600	12
SCH910	BCH910	14.288	20.638	15.875	12000	15000	19600	13
SCH912	BCH912	14.288	20.638	19.05	14400	19000	19600	17
SCE105	BCE105	15.875	20.638	7.94	4300	5200	17600	5
SCE107	BCE107	15.875	20.638	11.112	6600	9300	17600	8
SCE107-1/2	BCE107-	15.875	20.638	11.91	7100	10300	17600	8
SCE108	BCE108	15.875	20.638	12.7	8100	12000	17600	9
SCE1010	BCE1010	15.875	20.638	15.875	10400	16300	17600	11
SCE1012	BCE1012	15.875	20.638	19.05	12100	19700	17600	14
SCH108	BCH108	15.875	22.225	12.7	10000	12200	17600	13
SCH1010	BCH1010	15.875	22.225	15.875	12700	16700	17600	16
SCH1012	BCH1012	15.875	22.225	19.05	14700	20000	17600	19
SCH1016	BCH1016	15.875	22.225	15.4	19100	28000	17600	25
SCE116	--	17.462	22.225	9.525	5700	7900	16000	6
SCE118	BCE118	17.462	22.225	12.7	8600	13200	16000	10
SCE1110	BCE1110	17.462	22.225	15.875	10900	18000	16000	13
SCE1112	BCE1112	17.462	22.225	19.05	12400	21000	16000	16
SCH117	BCH117	17.462	23.812	11.112	8400	10000	16000	13
SCH1110	BCH1110	17.462	23.812	15.875	12900	17100	16000	17
SCH1112	BCH1112	17.462	23.812	19.05	15900	22700	16000	20
SCE126	BCE126	19.05	25.4	9.525	7100	8300	14700	10
SCE128	BCE128	19.05	25.4	12.7	9800	12500	14700	14
SCE1210	BCE1210	19.05	25.4	15.875	12800	17500	14700	18
SCE1212	BCE1212	19.05	25.4	19.05	15300	22100	14700	21
SCH1212	BCH1212	19.05	25.4	19.05	18500	23600	14700	27
SCE136	--	20.638	26.988	9.525	7100	8400	13600	14
SCE138	BCE138	20.638	26.988	12.7	10800	14300	13600	16
SCE1312	BCE1312	20.638	26.988	19.05	15900	23700	13600	24

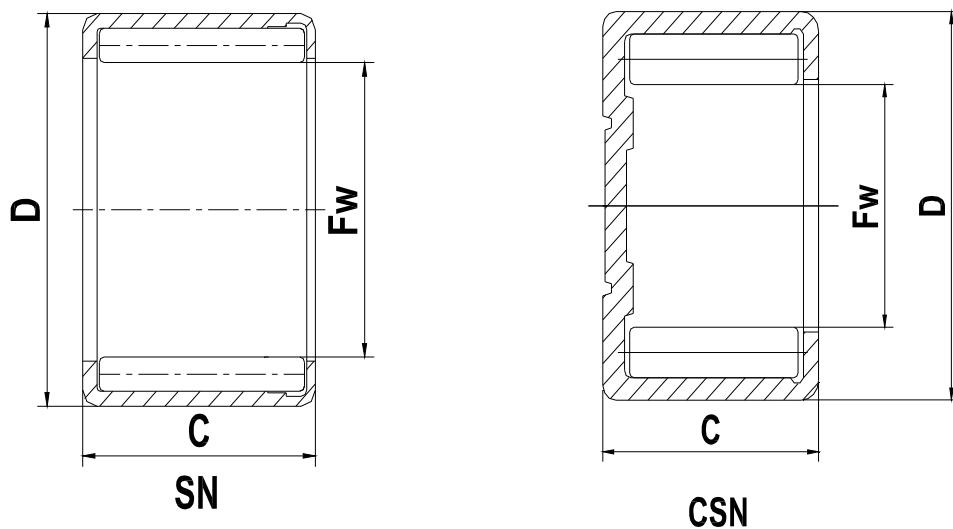
Drawn Cup Needle Roller Bearings

SCE1314	--	20.638	26.988	22.225	18500	29000	13600	27
SCH1310	BCH1310	20.638	28.575	15.875	15900	20700	13600	25
SCH1312	BCH1312	20.638	28.575	19.05	19200	26500	13600	30
SCE146	BCE146	22.225	28.575	9.525	8200	10700	12600	13
SCE148	BCE148	22.225	28.575	12.7	11200	15800	12600	19
SCE1412	BCE1412	22.225	28.575	19.05	16900	27000	12600	28
SCE1416	BCE1416	22.225	28.575	25.4	22100	38000	12600	34
SCH1412	BCH1412	22.225	30.162	19.05	19500	27000	12600	32
SCH1416	BCH1416	22.225	30.162	25.4	25500	38500	12600	43
SCE1516	BCE1516	23.812	30.162	25.4	24100	43000	11800	38
SCE166	BCE166	25.4	31.75	9.525	7800	10200	11000	18
SCE168	BCE168	25.4	31.75	12.7	12600	19100	11000	19
SCE1612	BCE1612	25.4	31.75	19.05	18500	31500	11000	27
SCE1616	BCE1616	25.4	31.75	25.4	24800	45500	11000	38
SCH1610	BCH1610	25.4	33.338	15.875	16700	22700	11000	35
SCH1612	BCH1612	25.4	33.338	19.05	20000	28500	11000	36
SCH1616	BCH1616	25.4	33.338	25.4	28900	46300	11000	47
SCE186	BCE186	28.575	34.925	9.525	8300	11500	9800	19
SCE188	BCE188	28.575	34.925	12.7	12800	20200	9800	21
SCE1812	BCE1812	28.575	34.925	19.05	18900	34000	9800	30
SCE1816	BCE1816	28.575	34.925	25.4	26000	49500	9800	40
SCH1810	BCH1810	28.575	38.1	15.875	21800	29000	9800	43
SCH1812	BCH1812	28.575	38.1	19.05	25000	35000	9800	48
SCH1816	BCH1816	28.575	38.1	25.4	31500	46500	9800	63
SCH1818	BCH1818	28.575	38.1	28.58	40500	65000	9800	85
SCH1820	BCH1820	28.575	38.1	31.75	40900	64500	9800	55
SCE1916	--	30.162	38.1	25.4	33000	57000	9300	43
SCE208	BCE208	31.75	38.1	12.7	13500	22200	8800	22
SCE2010	BCE2010	31.75	38.1	15.875	16500	29000	8800	30
SCE2012	BCE2012	31.75	38.1	19.05	21100	39500	8800	37
SCE2016	BCE2016	31.75	38.1	25.4	27000	55000	8800	45
SCE2020	BCE2020	31.75	38.1	31.75	33500	71000	8800	56
SCH208	BCH208	31.75	41.275	12.7	16400	21000	8800	36
SCH2012	BCH2012	31.75	41.275	19.05	27100	39500	8800	62
SCH2016	BCH2016	31.75	41.275	25.4	36000	57500	8800	71
SCH2020	BCH2020	31.75	41.275	31.75	43600	72900	8800	79
SCE2110	--	33.338	41.725	15.875	21100	34000	8400	37
SCE228	BCE228	34.925	41.275	12.7	13600	23700	8000	25
SCE2212	BCE2212	34.925	41.275	19.05	21500	42500	8000	39
SCE2216	--	34.925	41.275	25.4	27500	59000	8000	58
SCE2220	BCE2220	34.925	41.275	31.75	34000	77000	8000	81
SCH2212	BCH2212	34.925	44.45	19.05	29500	45000	8000	57
SCH2216	BCH2216	34.925	44.45	25.4	39000	65000	8000	77
SCE248	BCE248	38.1	47.625	12.7	18600	26000	7400	48
SCE2410	BCE2410	38.1	47.625	15.875	24400	36500	7400	54
SCE2412	BCE2412	38.1	47.625	19.05	30500	48500	7400	62
SCE2414	BCE2414	38.1	47.625	22.225	36000	60000	7400	72
SCE2416	BCE2416	38.1	47.625	25.4	38500	66000	7400	83
SCE2420	BCE2420	38.1	47.625	31.75	47500	86000	7400	105
SCE2610	BCE2610	41.275	50.8	15.875	25500	40000	6800	55
SCE2620	BCE2620	41.275	50.8	31.75	51000	97000	6800	110
SCE2812	BCE2812	44.45	53.975	19.05	31500	55000	6300	82
SCE2816	BCE2816	44.45	53.975	25.4	41500	76000	6300	115

Drawn Cup Needle Roller Bearings

SCE2820	--	44.45	53.975	31.75	55000	108000	6300	134
SCE2824	BCE2824	44.45	53.975	38.1	62000	130000	6300	163
SCE328	--	50.8	60.325	12.7	21800	35000	5500	58
SCE3210	--	50.8	60.325	15.875	28500	49500	5500	68
SCE3216	BCE3216	50.8	60.325	25.4	41500	80000	5500	102
SCE3220	--	50.8	60.325	31.75	55000	116000	5500	138
SCE348	--	53.975	63.5	12.7	25200	39000	5200	62
SCE3410	BCE3410	53.975	63.5	15.875	31000	57000	5200	72
SCE3416	--	53.975	63.5	25.4	50000	103000	5200	116
SCE3612	BCE3612	57.15	66.675	19.05	37500	72000	4900	89
SCE3616	BCE3616	57.15	66.675	25.4	50000	107000	4900	120
SCE4412	BCE4412	69.85	79.375	19.05	38500	80000	4000	132
SCE5612	--	88.9	101.6	19.05	53000	103000	3150	186

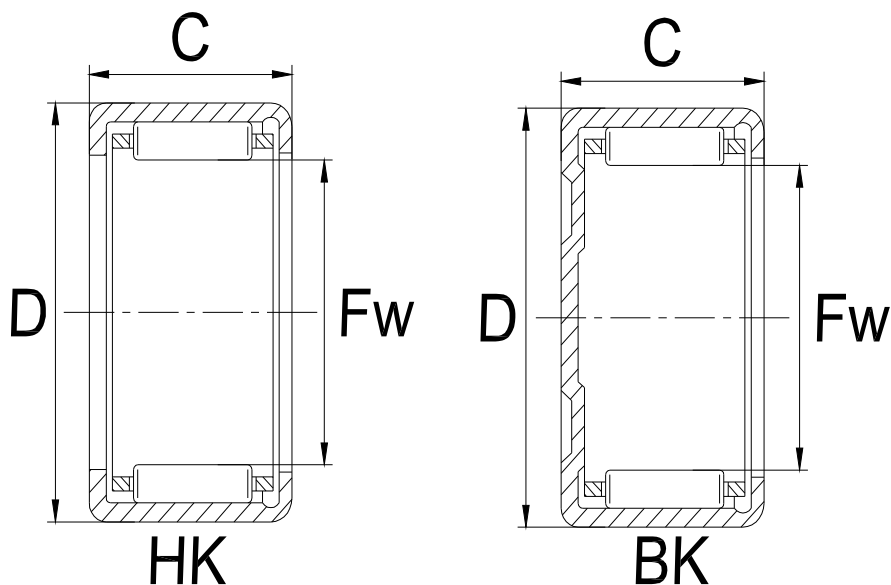
Remark: Other types like J, JH, MJ, MJH, BA, BHA, BAM, BHAM, BT, BHT, MK, MHK, DCL, DCH, DBL, DBH are also workable.



Part Number	Dimension(mm)			Load Rating(N)		Limiting Speed(RPM)	Weight (g)
	Fw	D	C	Dynamic	Static		
SN45	6.35	11.112	7.938	4350	4900	10000	3
SN55	7.938	12.7	7.938	5600	6200	8300	4
SN56	7.938	12.7	9.525	6100	8800	8300	5
SN57	7.938	12.7	11.113	7200	9800	8300	5
SN65	9.525	14.288	7.938	6200	7400	7100	5
CSN66	9.525	14.288	12.7	6900	9300	7100	4
SN66	9.525	14.288	9.525	5800	5300	7100	4
SN68	9.525	14.288	12.7	7700	7700	7100	7
SN76	11.112	15.875	9.525	7600	11000	6300	9
SN78	11.112	15.875	12.7	9900	16000	6300	8
SN88	12.7	17.462	12.7	11800	18400	5600	9
SN810	12.7	17.462	15.875	12900	23600	5600	11
SN812	12.7	17.462	19.05	15900	29500	5600	14
SNH87	12.7	19.05	11.112	9400	8700	5300	11
SN105	15.875	20.638	7.938	6400	6700	4550	7
SN116	17.462	22.225	9.525	9300	17100	4200	9
SN128	19.05	25.4	12.7	15000	25000	3750	17
SN148	22.225	28.575	12.7	17400	31500	3250	18
SN1816	28.575	34.925	25.4	36500	90000	2600	59
CSN2816	44.45	53.975	25.4	59000	136000	1660	122

Remark: Other types like Y and YB are also workable.

Drawn Cup Needle Roller Bearings

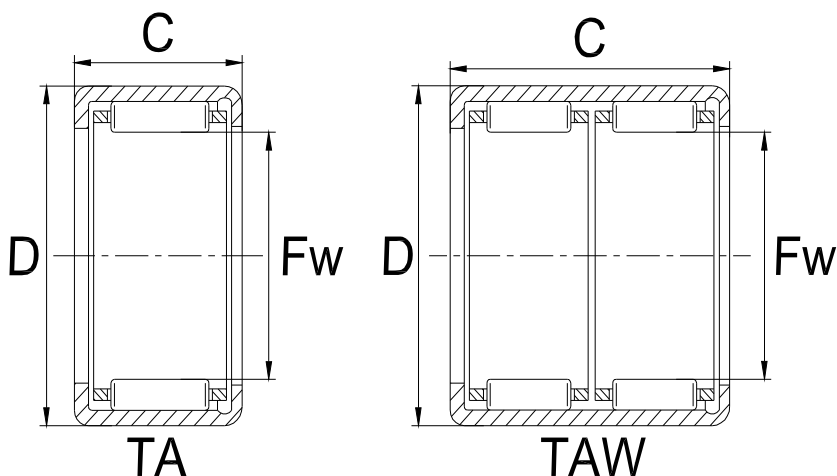


Part Number		Dimension(mm)			Load Rating(N)		Limiting Speed(RPM)	Weight (g)
		Fw	D	C	Dynamic	Static		
HK0306TN	BK0306TN	3	6.5	6	1230	840	48000	0.3
HK0408	BK0408	4	8	8	1780	1310	42500	1.6
HK0509	BK0509	5	9	9	2400	1990	39000	2
HK0606	--	6	10	6	1610	1220	36500	1.5
HK0608	--	6	10	8	2030	1650	36500	2.1
HK0609	BK0609	6	10	9	2850	2600	36500	2.2
HK0709	BK0709	7	11	9	3100	2950	33000	2.6
HK0808	BK0808	8	12	8	2750	2600	29500	2.7
HK0810	BK0810	8	12	10	3800	3950	29500	3
HK 0908	--	9	13	8	3550	3750	26500	3
HK0910	BK0910	9	13	10	4250	4650	26500	4
HK0912	BK0912	9	13	12	5300	6300	26500	4.6
HK1010	BK1010	10	14	10	4400	5100	24300	4.1
HK1012	BK1012	10	14	12	5500	6800	24300	4.8
HK1015	BK1015	10	14	15	6800	8800	24300	6
HK1210	BK1210	12	16	10	4950	6200	20700	4.6
HK1212	BK1212	12	18	12	6500	7300	20000	9
HK1312	BK1312	13	19	12	6800	7900	18700	10
HK1412	BK1412	14	20	12	7100	8500	17500	10.5
HK1512	BK1512	15	21	12	7900	9400	16300	11
HK1516	BK1516	15	21	16	10500	14400	16500	15
HK1522	--	15	21	22	13400	19500	16500	20
HK1612	BK1612	16	22	12	7600	9700	15600	12
HK1616	BK1616	16	22	16	10900	15300	15600	16
HK1622	BK1622	16	22	22	13100	19400	15600	22
HK1712	--	17	23	12	7900	10300	14700	12
HK1812	BK1812	18	24	12	7500	10500	14000	13.1
HK1816	BK1816	18	24	16	10600	15300	14000	17.5
HK2010	--	20	26	10	6400	8200	12700	12
HK2012	--	20	26	12	8600	12100	12700	14
HK2016	BK2016	20	26	16	12700	20100	12700	19
HK2020	BK2020	20	26	20	15700	26000	12700	24
HK2030	--	20	26	30	21800	40000	12700	35

Drawn Cup Needle Roller Bearings

HK2210	--	22	28	10	7200	10500	11700	13
HK2212	BK2212	22	28	12	9100	13400	11700	15
HK2216	BK2216	22	28	16	13400	22100	11700	21
HK2220	--	22	28	20	16500	29000	11700	26
HK2512	--	25	32	12	11000	15200	10200	20
HK2516	BK2516	25	32	16	15600	24000	10200	27
HK2520	BK2520	25	32	20	19900	33000	10200	33
HK2526	BK2526	25	32	26	25500	45000	10200	44
HK2538	BK2538	25	32	38	34000	66000	10200	64
HK2816	--	28	35	16	16400	26500	9200	29
HK2820	--	28	35	20	16400	36000	9200	36
HK3012	BK3012	30	37	12	12100	18200	8600	23
HK3016	BK3016	30	37	16	17200	29000	8600	31
HK3020	BK3020	30	37	20	22000	39500	8600	39
HK3022	--	30	37	22	24800	46000	8600	42
HK3026	BK3026	30	37	26	28000	54000	8600	51
HK3038	BK3038	30	37	38	37500	79000	8600	76
HK3220	--	32	39	20	23000	42500	8100	40.6
HK3224	--	32	39	24	27500	54000	8100	49
HK3512	--	35	42	12	13100	21300	7500	27
HK3516	--	35	42	16	18700	33500	7500	36
HK3520	BK3520	35	42	20	23800	46000	7500	44
HK4012	--	40	47	12	14000	24300	6600	30
HK4016	--	40	47	16	20000	38500	6600	39
HK4020	BK4020	40	47	20	25500	52000	6600	54
HK4512	--	45	52	12	14900	27500	5900	33
HK4516	--	45	52	16	21300	43000	5900	46
HK4520	BK4520	45	52	20	27000	59000	5900	56
HK5020	--	50	58	20	31000	63000	5300	70
HK5025	--	50	58	25	38500	84000	5300	90
HK5520	--	55	63	20	31500	67000	4850	74
HK5528	--	55	63	28	44000	103000	4850	105
HK6012	--	60	68	12	17400	32000	4450	49
HK6020	--	60	68	20	33500	75000	4450	81
HK6032	--	60	68	32	53000	135000	4450	136

Remark: Other types like TLA, DB, FJ, BTM, TLAM, DBF, MFJ and MKM are also workable.



Part Number	Dimension(mm)			Load Rating(N)		Limiting Speed(RP M)	Weight(g)
	Fw	D	C	Dynamic	Static		
TA810	8	15	10	3470	2880	45000	6.7
TA815	8	15	15	5780	5570	45000	10
TA820	8	15	20	8340	8920	45000	13

Drawn Cup Needle Roller Bearings

TA912	9	16	12	5140	4880	45000	8.7
TA916	9	16	16	6960	7210	45000	12
TA1010	10	17	10	4150	3780	40000	7.9
TA1012	10	17	12	5590	5540	40000	9.4
TA1015	10	17	15	6920	7300	40000	12
TA1020	10	17	20	9990	11700	40000	16
TA1212	12	19	12	6000	6310	35000	11
TA1215	12	19	15	7440	8320	35000	14
TA1220	12	19	20	10700	13300	35000	18
TA1225	12	19	25	13800	18300	35000	23
TA1416	14	22	16	10500	12000	30000	19
TA1420	14	22	20	13900	17200	30000	24
TA1510	15	22	10	5290	5680	25000	11
TA1512	15	22	12	7120	8310	25000	13
TA1515	15	22	15	8830	11000	25000	16
TA1520	15	22	20	12700	17600	25000	22
TA1525	15	22	25	16300	24200	25000	27
TA1616	16	24	16	11100	13300	25000	21
TA1620	16	24	20	14700	19100	25000	27
TA1715	17	24	15	9660	12700	25000	18
TA1720	17	24	20	13900	20400	25000	24
TA1725	17	24	25	17900	28100	25000	30
TA1813	18	25	13	9100	12000	20000	16
TA1815	18	25	15	10100	13600	20000	19
TA1817	18	25	17	11900	16900	20000	21
TA1819	18	25	19	13700	20200	20000	24
TA1820	18	25	20	14500	21800	20000	25
TA1825	18	25	25	18600	30000	20000	31
TA1916	19	27	16	12200	15700	20000	25
TA1920	19	27	20	16100	22600	20000	31
TA2015	20	27	15	10400	14600	20000	21
TA2020	20	27	20	15000	23400	20000	27
TA2025	20	27	25	19200	32200	20000	34
TA2030	20	27	30	23100	41000	20000	41
TA202820	20	28	20	16900	24300	20000	30
TA2116	21	29	16	13300	18100	19000	27
TA2120	21	29	20	17600	25900	19000	33
TA2210	22	29	10	6650	8500	18000	15
TA2215	22	29	15	11100	16400	18000	22
TA2220	22	29	20	16000	26300	18000	30
TA2225	22	29	25	19700	34300	18000	37
TA2230	22	29	30	23800	43700	18000	45
TA223016	22	30	16	13200	18200	18000	26
TA223020	22	30	20	17500	26100	18000	33
TA2420	24	31	20	17000	29200	16000	32
TA2428	24	31	28	24500	46700	16000	45
TA243216	24	32	16	14200	20500	16000	28
TA243220	24	32	20	18800	29400	16000	36
TA2510	25	33	10	7990	9900	15000	19
TA2515	25	33	15	13400	19300	15000	29
TA2520	25	33	20	19500	31100	15000	39
TA2525	25	33	25	24100	40800	15000	48
TA2530	25	33	30	29100	52000	15000	58

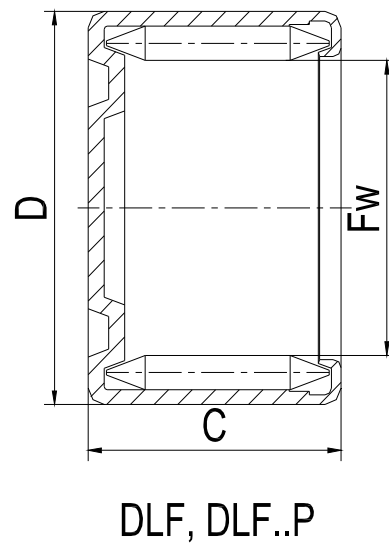
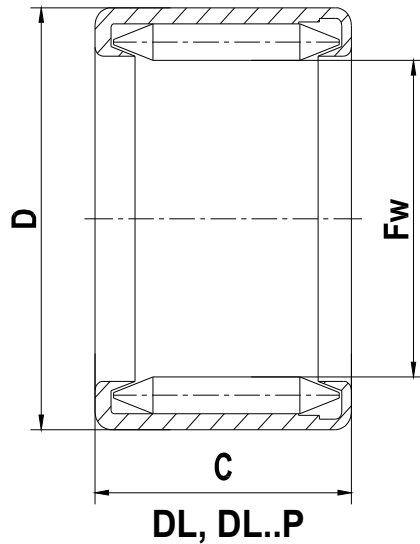
Drawn Cup Needle Roller Bearings

TA2616	26	34	16	15200	22900	15000	32
TA2620	26	34	20	20100	32800	15000	40
TA2820	28	37	20	21200	32300	13000	49
TA2830	28	37	30	33000	56900	13000	73
TA2920	29	38	20	22000	34200	13000	50
TA2930	29	38	30	34200	60300	13000	75
TA3013	30	40	13	13500	16800	12000	40
TA3015	30	40	15	16800	22400	12000	44
TA3020	30	40	20	24500	36300	12000	58
TA3025	30	40	25	31600	50300	12000	73
TA3030	30	40	30	36700	60700	12000	87
TA3220	32	42	20	25400	38600	11000	62
TA3230	32	42	30	39500	68400	11000	92
TA3512	35	45	12	14800	19900	10000	40
TA3515	35	45	15	18500	26500	10000	50
TA3520	35	45	20	27000	43100	10000	67
TA3525	35	45	25	34800	58700	10000	83
TA3530	35	45	30	40600	72600	10000	100
TA3720	37	47	20	27800	45400	9500	70
TA3730	37	47	30	41800	76700	9500	105
TA3815	38	48	15	19000	28000	9000	54
TA3820	38	48	20	27700	45600	9000	72
TA3825	38	48	25	35600	63100	9000	90
TA3830	38	48	30	43100	80600	9000	107
TAW3845	38	48	45	55700	112000	9000	161
TA4015	40	50	15	19500	29400	8500	56
TA4020	40	50	20	28400	47800	8500	75
TA4025	40	50	25	36600	66200	8500	94
TA4030	40	50	30	44300	84600	8500	112
TA4040	40	50	40	56700	116000	8500	150
TA4520	45	55	20	30600	54600	7500	83
TA4525	45	55	25	39400	75600	7500	104
TA4530	45	55	30	47700	96600	7500	125
TA4540	45	55	40	61300	133000	7500	167
TA5012	50	62	12	17700	24000	6500	67
TA5015	50	62	15	25800	39000	6500	84
TA5020	50	62	20	38000	64000	6500	112
TA5025	50	62	25	49100	89000	6500	140
TA5030	50	62	30	59500	114000	6500	168
TA5040	50	62	40	76500	157000	6500	224
TAW5045	50	62	45	76700	158000	6500	252
TA5520	55	67	20	39600	69700	5500	116
TA5525	55	67	25	51200	97000	5500	145
TA5530	55	67	30	62000	124000	5500	175
TA5540	55	67	40	80000	172000	5500	230
TAW5545	55	67	45	79900	172000	5500	250
TAW5550	55	67	50	91500	205000	5500	280
TA6025	60	72	25	54700	108000	5000	158
TA6030	60	72	30	66300	139000	5000	191
TA6040	60	72	40	85700	193000	5000	250
TAW6045	60	72	45	85400	193000	5000	270
TAW6050	60	72	50	97800	229000	5000	305
TA6212	62	74	12	20100	30300	4500	78

Drawn Cup Needle Roller Bearings

TA6525	65	77	25	56500	116000	4000	169
TA6530	65	77	30	68500	149000	4000	205
TAW6545	65	77	45	88300	207000	4000	290
TAW6550	65	77	50	101000	246000	4000	330
TA7025	70	82	25	58500	124000	3500	181
TA7030	70	82	30	70900	159000	3500	220
TA7040	70	82	40	92000	222000	3500	290
TAW7050	70	82	50	105000	262000	3500	350

Remark: Other types like HMK, FJL and BHTM are also workable.

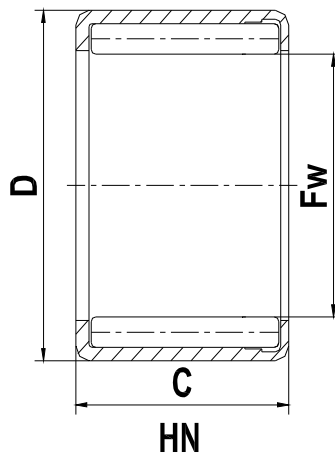


Type		Dimension(mm)			Load Rating(N)		Limiting Speed(RPM)	Weight(g)
		Fw	D	C	Dynamic	Static		
DL610	DLF610	6	12	10	2900	3800	50000	4.2
DL810	DLF810	8	14	10	4500	6500	37500	5.3
DL91412	DLF91412	9	14	12	6100	9200	33000	6.1
DL1012	DLF1012	10	16	12	7000	10900	30000	8
DL1210	DLF1210	12	18	10	6000	9700	25000	7.6
DL1212	DLF1212	12	18	12	7000	11500	25000	9.4
DL1312	DLF1312	13	19	12	8500	14200	23000	9.9
DL1412	DLF1412	14	20	12	7900	13500	21500	10.5
DL1512	DLF1512	15	21	12	9400	16400	20000	11
DL1612	DLF1612	16	22	12	8700	15500	18500	12
DL1712	DLF1712	17	23	12	9000	16200	17500	13
DL172312P	DLF172312P	17	23	12	9000	16200	17500	13
DL1812	DLF1812	18	24	12	10700	19500	16500	14
DL1816	DLF1816	18	24	16	16000	29500	16500	19
DL182416P	DLF182416P	18	24	16	16000	29500	16500	19
DL2012	DLF2012	20	26	12	10200	19500	15000	15
DL2016	DLF2016	20	26	16	16000	30500	15000	20
DL2216	DLF2216	22	28	16	17000	33000	13500	22
DL2516	DLF2516	25	33	16	16000	32500	12000	35
DL2520	DLF2520	25	33	20	22800	46000	12000	43
DL2820	DLF2820	28	36	20	24500	52000	11000	47
DL3016	DLF3016	30	38	16	21700	46500	10000	40
DL3020	DLF3020	30	38	20	26000	56000	10000	50
DL3025	DLF3025	30	38	25	35500	76000	10000	63
DL354216P	DLF354216P	35	42	16	21500	48000	8500	40
DL3516	DL3516	35	43	16	24000	54000	8500	46
DL3520	DLF3520	35	43	20	29000	65000	8500	57

Drawn Cup Needle Roller Bearings

DL4016	DLF4016	40	48	16	26500	62000	7500	51
DL4020	DLF4020	40	48	20	36000	84000	7500	64
DL4416	DLF4416	44	52	16	23800	57000	6800	56
DL455216P	DLF455216P	45	52	16	25800	63000	6500	48
DL4716	DLF4716	47	55	16	25000	61000	6400	60
DL5012	DLF5012	50	58	12	20000	50000	6000	47
DL5018	DLF5018	50	58	18	36500	92000	6000	71
DL5020	DLF5020	50	58	20	37000	93000	6000	77
DL5520	DLF5520	55	63	20	39500	102000	5500	86

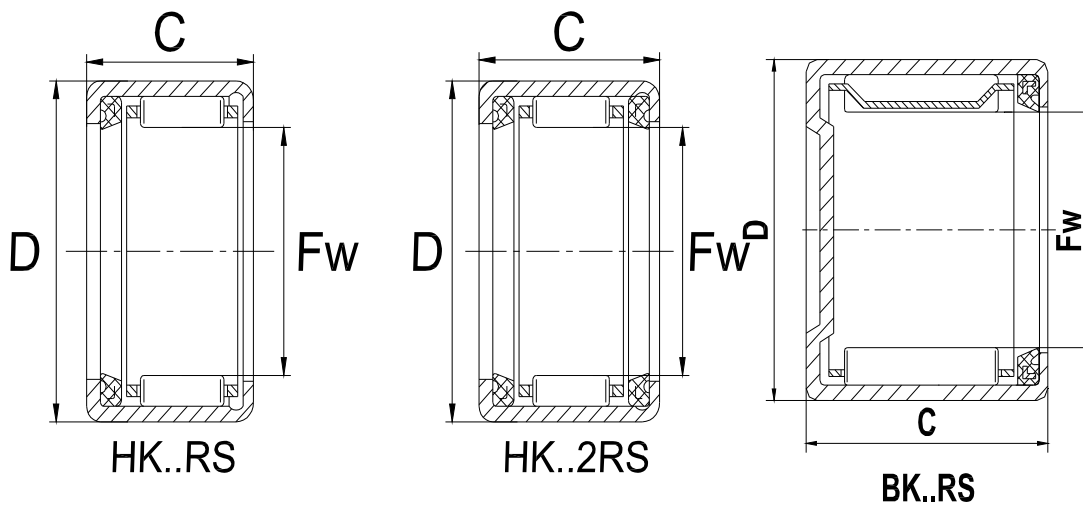
Remark: Other types like BM, MM, F, MF, HV and BV are also workable.



Part Number	Dimension(mm)			Load Rating(N)		Limiting Speed(RPM)	Weight(g)
	Fw	D	C	Dynamic	Static		
HN0808	8	12	8	5000	6700	12700	3
HN1010	10	14	10	7200	11100	10400	4.6
HN1210	12	16	10	8000	13400	8900	5.3
HN1212	12	18	12	10200	15200	8900	10.5
HN1412	14	20	12	11000	17500	7500	12
HN1516	15	21	16	15400	27500	7100	14
HN1612	16	22	12	12000	20300	6700	13
HN1816	18	24	16	17000	32500	6000	20
HN2016	20	26	16	18100	36500	5400	22
HN2020	20	26	20	22400	48000	5400	29.5
HN2520	25	32	20	28000	59000	4350	39.6
HN2820	28	35	20	30000	67000	3950	44
HN3520	35	42	20	33500	83000	3200	54
HN4020	40	47	20	36000	95000	2800	60.5
HN4520	45	52	20	38500	108000	2500	66
HN4525	45	52	25	47000	139000	2500	85
HN5020	50	58	20	44500	119000	2260	85.3
HN5025	50	58	25	54000	152000	2260	107

Remark: Other types like FY, YTL and YM are also workable.

Drawn Cup Needle Roller Bearings

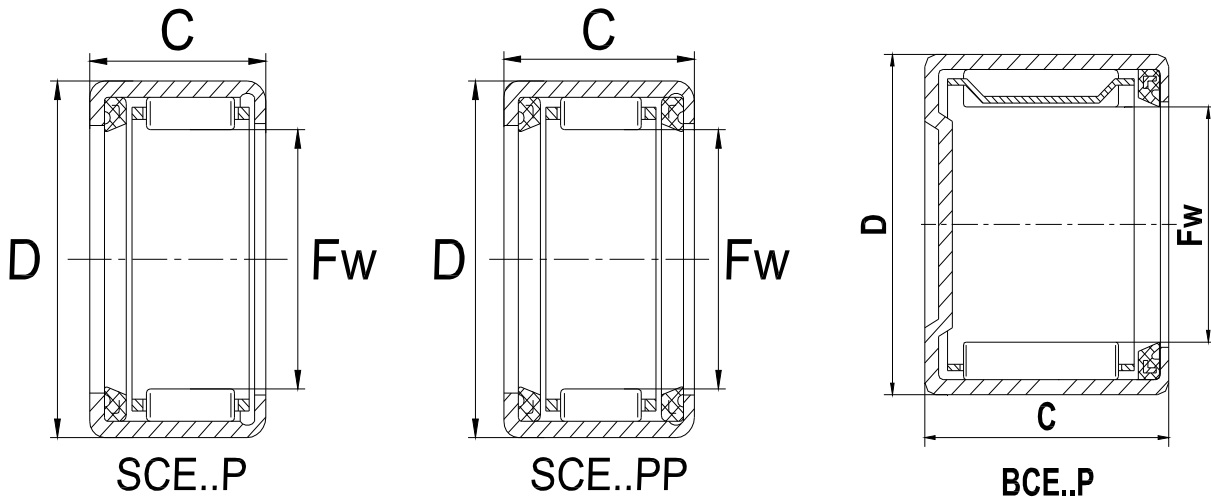


Part Number	Part Number	Part Number	Dimension(mm)			
			Fw	D	C	C1
--	HK0810-2RS	--	8	12	--	10
HK0810RS	HK0812-2RS	--	8	12	10	12
HK0812RS	--	--	8	12	12	--
--	HK1012-2RS	--	10	14	--	12
HK1012RS	HK1014-2RS	BK1012RS	10	14	12	14
--	HK1214-2RS	--	12	16	--	14
HK1214RS	HK1216-2RS	--	12	18	14	16
HK1414RS	HK1416-2RS	BK1414RS	14	20	14	16
HK1514RS	HK1516-2RS	--	15	21	14	16
HK1518RS	HK1520-2RS	--	15	21	18	20
HK1614RS	HK1616-2RS	BK1614RS	16	22	14	16
--	HK1620-2RS	--	16	22	--	20
HK1814RS	HK1816-2RS	--	18	24	14	16
--	HK2016-2RS	--	20	26	--	16
HK2018RS	HK2020-2RS	BK2018RS	20	26	18	20
HK2214RS	HK2216-2RS	--	22	28	14	16
HK2218RS	HK2220-2RS	--	22	28	18	20
--	HK2516-2RS	--	25	32	--	16
HK2518RS	HK2520-2RS	BK2518RS	25	32	18	20
--	HK2524-2RS	--	25	32	--	24
--	HK2530-2RS	--	25	32	--	30
HK2818RS	HK2820-2RS	--	28	35	18	20
--	HK3016-2RS	--	30	37	--	16
HK3018RS	HK3020-2RS	--	30	37	18	20
--	HK3024-2RS	--	30	37	--	24
--	HK3516-2RS	--	35	42	--	16
HK3518RS	HK3520-2RS	--	35	42	18	20
--	HK4016-2RS	--	40	47	--	16
HK4018RS	HK4020-2RS	--	40	47	18	20
HK4518RS	HK4520-2RS	--	45	52	18	20
HK5022RS	HK5024-2RS	--	50	58	22	24
Part Number	Part Number	Part Number	Load Rating(N)		Limiting Speed(RPM)	Weight(g)
			Dynamic	Static		
--	HK0810-2RS	--	2180	1930	20000	3.2
HK0810RS	HK0812-2RS	--	2750	2600	20000	3.3
HK0812RS	--	--	3800	3950	20000	3.1
--	HK1012-2RS	--	3200	3350	17000	4.3
HK1012RS	HK1014-2RS	BK1012RS	4400	5100	17000	4.6

Drawn Cup Needle Roller Bearings

--	HK1214-2RS	--	4950	6200	14000	8
HK1214RS	HK1216-2RS	--	6500	7300	14000	11
HK1414RS	HK1416-2RS	BK1414RS	7100	8500	12000	13
HK1514RS	HK1516-2RS	--	7800	9800	11000	15
HK1518RS	HK1520-2RS	--	10500	14400	11000	18
HK1614RS	HK1616-2RS	BK1614RS	7600	9700	11000	14
--	HK1620-2RS	--	10900	15300	11000	18
HK1814RS	HK1816-2RS	--	8100	10900	9500	15
--	HK2016-2RS	--	8600	12100	8500	18
HK2018RS	HK2020-2RS	BK2018RS	12700	20100	8500	23
HK2214RS	HK2216-2RS	--	9100	13400	8000	18
HK2218RS	HK2220-2RS	--	13400	22100	8000	26
--	HK2516-2RS	--	11000	15200	7000	27
HK2518RS	HK2520-2RS	BK2518RS	15600	24000	7000	31
--	HK2524-2RS	--	19900	33000	7000	40
--	HK2530-2RS	--	25500	45000	7000	47
HK2818RS	HK2820-2RS	--	16400	26500	6000	34
--	HK3016-2RS	--	12100	18200	6000	31
HK3018RS	HK3020-2RS	--	17200	29000	6000	36
--	HK3024-2RS	--	22000	39500	6000	44
--	HK3516-2RS	--	13100	23100	5000	32
HK3518RS	HK3520-2RS	--	18700	33500	5000	41
--	HK4016-2RS	--	14000	24300	4500	37
HK4018RS	HK4020-2RS	--	20000	38500	4500	48
HK4518RS	HK4520-2RS	--	21300	43000	4000	54
HK5022RS	HK5024-2RS	--	31000	63000	3600	81

Remark: Other types like HK..L, HK..LL, BK..L, FJT, FJTT, MFJT, TLA..U, TLA..UU, TLAM..UU, DB..E and DB..EE are also workable.



Part Number		Dimension(mm)			Load Rating(N)		Limiting Speed(RPM)	
		Fw	D	C	Dynamic	Static		
--	SCE45P	--	6.35	11.112	7.938	1600	1200	27000
SCE46PP	--	--	6.35	11.112	9.525	1600	1200	27000
--	SCE46P	--	6.35	11.112	9.525	2500	2090	27000
SCE47PP	--	--	6.35	11.112	11.112	2500	2090	27000
--	SCE48P	BCE48P	6.35	11.112	12.7	4000	3850	27000
SCE49PP	--	--	6.35	11.112	14.288	4000	3850	27000
--	SCE56P	--	7.938	12.7	9.525	2900	2600	23000
SCE57PP	--	--	7.938	12.7	11.112	2900	2600	23000
--	SCE58P	BCE58P	7.938	12.7	12.7	4700	4850	23000
SCE59PP	--	--	7.938	12.7	14.288	4700	4850	23000
--	SCH58P	BCH58P	7.938	14.288	12.7	5200	4800	21000

Drawn Cup Needle Roller Bearings

--	SCE66P	BCE66P	9.525	14.288	9.525	2900	2700	20000
SCE67PP	--	--	9.525	14.288	11.112	2900	2700	20000
SCE68PP	--	--	9.525	14.288	12.7	3900	3950	20000
--	SCE69P	BCE69P	9.525	14.288	14.288	5800	6600	20000
SCE610PP	--	--	9.525	14.288	15.875	5800	6600	20000
--	SCH79P	BCH79P	11.112	17.462	14.288	7900	8200	15000
SCH710PP	--	--	11.112	17.462	15.875	7900	8200	15000
--	SCE86P	--	12.7	17.462	9.525	3650	3950	15000
SCE87PP	--	--	12.7	17.462	11.112	3650	3950	15000
--	SCE89P	BCE89P	12.7	17.462	14.288	6900	9000	15000
SCE810PP	--	--	12.7	17.462	15.875	6900	9000	15000
SCE812PP	--	--	12.7	17.462	19.05	8800	12300	15000
--	SCH813P	BCH813P	12.7	19.05	20.638	12600	15700	14000
SCH814PP	--	--	12.7	19.05	22.225	12600	15700	14000
--	SCE99P	--	14.288	19.05	14.288	7700	10800	14000
SCE910PP	--	--	14.288	19.05	15.875	7700	10800	14000
SCE912PP	--	--	14.288	19.05	19.05	9600	14000	14000
--	SCH910P	BCH910P	14.288	20.638	15.875	10900	13300	12000
--	SCH913P	BCH913P	14.288	20.638	20.638	14400	19000	12000
--	SCE109P	--	15.875	20.638	14.288	8100	12000	13000
SCE1010PP	--	--	15.875	20.638	15.875	8100	12000	13000
--	SCE1011P	--	15.875	20.638	17.46	10400	16300	13000
SCE1012PP	--	--	15.875	20.638	19.05	10400	16300	13000
SCE1014PP	--	--	15.875	20.638	22.225	12100	19700	13000
SCE128PP	--	--	19.05	25.4	11.112	7100	8300	10000
--	SCE129P	BCE129P	19.05	25.4	14.288	9800	12500	10000
SCE1210PP	--	--	19.05	25.4	15.875	9800	12500	10000
--	SCE1211P	BCE1211P	19.05	25.4	17.46	12800	17500	10000
SCE1212PP	--	--	19.05	25.4	19.05	12800	17500	10000
SCE1214PP	--	--	19.05	25.4	22.225	15300	22100	10000
SCE148PP	--	--	22.225	28.575	12.7	8200	10700	9000
SCE1414PP	--	--	22.225	28.575	22.225	16900	27000	9000
--	SCH1413P	BCH1413P	22.225	30.162	20.638	19500	27000	8000
SCH1414PP	--	--	22.225	30.162	22.225	18100	27000	8000
SCE1616PP	--	--	25.4	31.75	25.4	18000	30000	8000
--	SCH1613P	--	25.4	33.338	20.638	18500	28500	7000
--	SCH1614P	BCH1614P	25.4	33.338	22.225	20000	28500	7000
SCH1616PP	--	--	25.4	33.338	25.4	20000	28500	7000
--	SCE2012P	--	31.75	38.1	19.05	16300	28500	6500
--	SCE2014P	--	31.75	38.1	22.225	21100	39500	6500
SCE2016PP	--	--	31.75	38.1	25.4	21100	39500	6500
--	SCH2018P	--	31.75	41.275	28.58	36500	58000	6000
SCH2020PP	--	--	31.75	41.275	31.75	33000	57000	6000
--	--	BCH2212P	34.925	44.45	19.05	25000	40500	6000
--	SCE2414P	--	38.1	47.625	22.225	30500	49500	5500
--	SCE2416P	--	38.1	47.625	25.4	36000	61000	5500
--	SCE2422P	--	38.1	47.625	34.92	47000	19464	5500
SCE2424PP	--	--	38.1	47.625	38.1	47000	19464	5500

Remark: Other types like DCL..L, DCL..LL, JT, JTT, DBL..L, MJT, JHT, DCH..L, DBH..L and MJHT are also workable